

Cable Organizer 1U Panel with 5 D-Ring DataSheet

FIBER4U

For 20 years, Fiber4u has been the prime choice for fast, cost-effective solutions in **Fiber Optics, Rack Cabinets, and Copper** network products.

Partnering with premier domestic and global manufacturers, **Fiber4u** ensures both speed and affordability while maintaining top-notch quality to exceed expectations across **telecommunications, data management and network infrastructure.**



1U ORGANIZER 5 D-RING

Fiber4u boasts an extensive lineup of **rack cabinet accessories**, among them the innovative **1U Cable Management Panel with 5 D-Rings.**

Crafted specifically for **19-inch rack cabinets**, this durable and thoughtfully designed accessory effectively manages cables and wires in **data centers, server rooms, and networking environments**, providing efficient solutions and enhance overall performance.

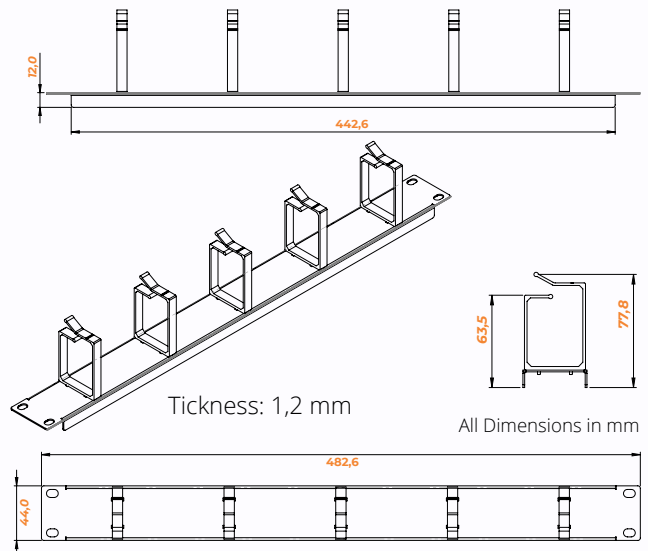
Efficient Cable Management Solutions: Introducing 5-D Ring Cable Manager

- Hassle-Free Installation:** Fiber4u D Ring Organizer come complete with an installation kit, including 4 screws, 4 cage nuts, and 4 washers for hassle-free setup.
- Durable Construction:** Made from sturdy cold rolled steel with powder coating, ensuring reliability and longevity. The D-Rings are crafted from specially designed and cross-cut aluminum extrusion profiles.
- Versatile Fit:** Fits 19 inches networking cabinets or server racks, meeting specific installation requirements.
- Ample Space Design:** Product Size: Height 44 mm x Depth 77,8 mm, providing ample space for cable management.
- Effortless Cable Organization:** Easy to organize cables through the 5 big D-rings, simplifying cable management tasks.
- Optimized Space Usage:** Designed to organize the horizontal cables at the back of your equipment rack or manage cables onto the wall, optimizing space and efficiency.
- Clutter Reduction:** Fiber4u cable organizer helps maintain cable organization and reduces clutter, contributing to a clean and professional appearance.
- Infrastructure Compatibility:** Compatible with 19-inch rack cabinets, ensuring compatibility with infrastructure.

Ordering Information:

RAL 7035 (Light Gray) **RAL 9005 (Black)**
RK-AC-10170 **RK-AC-10171**

Your One-Stop
for Fast, and Cost-Effective
Fiber optic & Network Solutions!



Tailored for Essential Applications: Fiber4u 1U Organizer with 5 D-Rings

- Data Centers:** Ensure efficient cable management and organization in large-scale environments, where numerous cables and wires need to be neatly arranged to maintain optimal airflow and accessibility.
- Server Rooms:** Ideal for use in server rooms to streamline cable management and prevent cable tangling, enhancing overall organization and accessibility.
- Networking Closets:** Facilitate neat and organized cable routing, helping to maintain clear pathways for network connections and reducing the risk of cable damage or disconnection.
- Telecom Installations:** Enhance cable management and organization in installations, where the precise arrangement of cables is crucial for maintaining reliable communication networks and minimizing downtime.



www.fiber4u.com



info@fiber4u.com



Eyup Sultan Mah.
Gulsu Sok. No:5AA
Sancaktepe Istanbul
Türkiye